

CABLE 160 RF: I-PEX MHF + RP TNC BULKHEAD JACK WITH O-RING RATED TO IP67/68 + MULTIPLE CABLE SIZES

SPECIFICATIONS :

1. I-PEX MHF PLUG,
FOR $\phi 1.32\text{mm}$ CABLE: 20278-112R-32.
FOR $\phi 1.37\text{mm}$, $\phi 1.48\text{mm}$ CABLES: 20351-112R-37.
2. COAXIAL CABLE, SEE P/N OPTIONS.
3. RP TNC BULKHEAD JACK WITH O-RING RATED TO IP67/68,
P/N: RFCT-TNC004-F78.

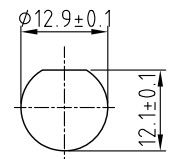
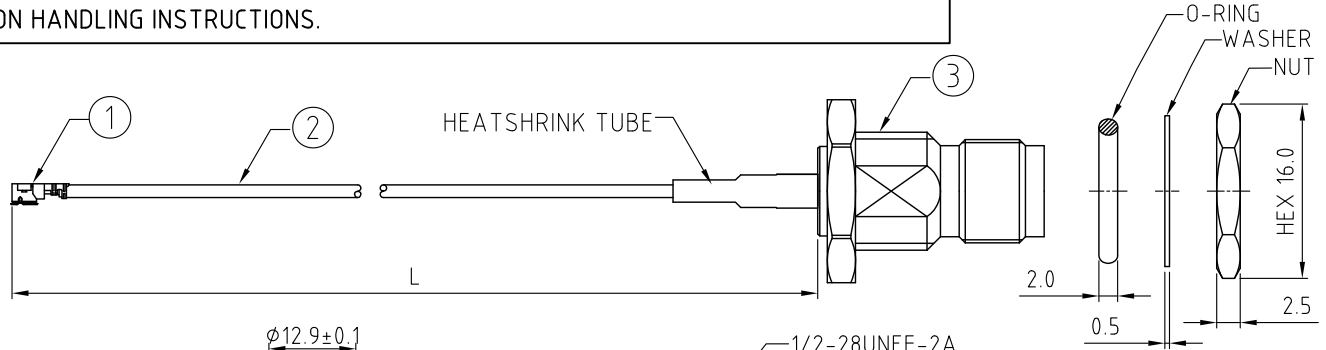
USAGE PRECAUTIONS: CABLES USING 'MICRO' COAX ARE DELICATE:
 (i) HANDLE WITH CARE.
 (ii) DO NOT TWIST; APPLY EXCESSIVE FORCES OR SHARP BENDS TO THE CABLE. DO NOT FORCEFULLY DEFORM WIRES.
 (iii) CONSULT CONNECTOR MANUFACTURER'S DATASHEETS FOR DETAILED NOTES ON HANDLING INSTRUCTIONS.

ENVIRONMENTAL:

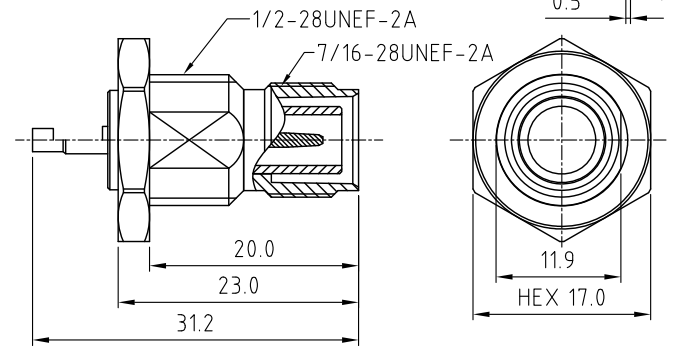
- A. BULKHEAD MOUNTED CONNECTOR (RFCT-TNC004-F78) TESTED TO THE FOLLOWING SPECIFICATION:
- i. IP6X - DUST TIGHT - NO PARTICLE INGRESS.
 - ii. IPX7 WATERPROOF FOR 30 MINUTES UP TO 1 METER UNDERWATER.
 - iii. IPX8 WATERPROOF FOR 48 HOURS AT 1 METER UNDERWATER.
 - iv. IPX8 WATERPROOF FOR 12 HOURS AT 5 METERS UNDERWATER.
 - v. PRESSURE TEST - 1 BAR FOR 10 SECONDS.

NOTES:

1. THE ORIENTATION OF CONNECTORS ON DRAWING IS FOR REFERENCE ONLY, IF THE ORDER IS LEFT BLANK THE CONNECTOR WILL NOT HAVE FIXED ORIENTATION.
2. FIXED ORIENTATION IS SUGGESTED FOR CABLE LENGTH 25MM TO 100MM. PLEASE SPECIFY THE FIXED ORIENTATIONS FROM THE ORDER CODE (F1, F2, ETC)
3. CONTACT GRADCONN IF THE ORIENTATION YOU REQUIRE IS NOT SHOWN.
4. WORKING FREQUENCY RANGE: DC-3GHz.



RECOMMENDED TNC MOUNTING HOLE



TNC DETAIL DRAWING

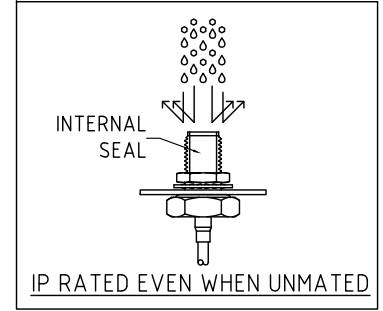
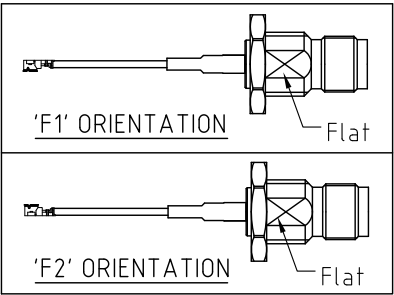
HOW TO ORDER
 CABLE 160 RF - XXX - XX - X - X

"L" LENGTH IN MM:
 eg: 100MM = 100
 (MIN. 025-MAX.400)
 STANDARD = 100, 150, 200
 Tolerance: <math><50\text{mm}</math> : $\pm 2\text{mm}</math>.
 51-200mm : $\pm 5\text{mm}</math>.
 201-400mm : $\pm 7\text{mm}</math>.$$$

CABLE SIZE:
 1 = $\phi 1.32\text{mm}$ CABLE, COLOR: GRAY
 2 = $\phi 1.37\text{mm}$ CABLE, COLOR: BLACK
 3 = $\phi 1.48\text{mm}$ CABLE, COLOR: BLACK

O-RING, WASHER AND NUT OPTIONS:
 BLANK = SEPARATELY PACKED (STANDARD)
 A = ALL ASSEMBLED WITH CONNECTOR

ORIENTATION OPTIONS:
 BLANK = DOES NOT HAVE A FIXED ORIENTATION
 F1 = MHF CONNECTION DOWN (L=25-100MM)
 F2 = MHF CONNECTION UP (L=25-100MM)
 (SEE NOTES 1, 2, 3 AND DIAGRAMS FOR MORE INFORMATION)



REV. DATE & DRN	10 25/07/19 - NYW RELEASE
11 23/07/19 - NYW	11 23/07/19 - NYW
12 30/07/19 - R-J	12 30/07/19 - R-J
13 30/05/16 - NYW	13 30/05/16 - NYW
14 ADD 1.37mm CABLE OPTION.	14 ADD 1.37mm CABLE OPTION.
15 25/02/14 - CC	15 25/02/14 - CC
ADD IP RATING VIEW	ADD IP RATING VIEW

Scale: NTS	THIRD ANGLE	Unstated Tolerances:
Drawn: CC		.X ± 0.2
App'd: XXX	Title CABLE ASSEMBLY	.XX ± 0.1
Date: 25 FEB. '24	Revision: 1.5	.XXX ± 0.05
	Unit: mm	ANGLES ± 5



IP Rated RF Products



www.gradconn.com

Type: Cable 160 RF
CABLE 160 RF
Drawing Number:
Sheet 1 of 1
Drawing © E and O E